



pellenc s.a.

MACHINES À VENDANGER / ÉQUIPEMENTS POUR LA VITICULTURE
SÉCATEURS ÉLECTRONIQUES / OUTILS ÉLECTRO-PORTATIFS
MACHINES DE RÉCOLTE POUR L'ARBORICULTURE
AUTOMATISMES / VISIONNIQUE



BATTERY PACK



CATALOGUE PIÈCES DÉTACHÉES

Récoltez le fruit de nos innovations !

Route de Cavaillon BP 47 - 84122 PERTUIS CEDEX (FRANCE)
Tél : (33) 04 90 09 47 00 - Fax : (33) 04 90 09 64 09
e-mail : pellenc.sa@pellenc.com www.pellenc.com

2015

Edition
August 2015



BATTERY PACK 2015

Catalogue of detached parts

TABLE OF CONTENTS

.....MECHANICALPART	2
200 BATTERY.....	3
400 2 kW BATTERY.....	5
700 2.5 kW BATTERY.....	7
1100 2.5 kW BATTERY.....	9
POLY5 BATTERY.....	11
OLIVION BATTERY.....	13



BATTERY PACK 2015

Catalogue of detached parts

MECHANICAL PART





BATTERY PACK 2015

Catalogue of detached parts

200 BATTERY - 26_11_013D

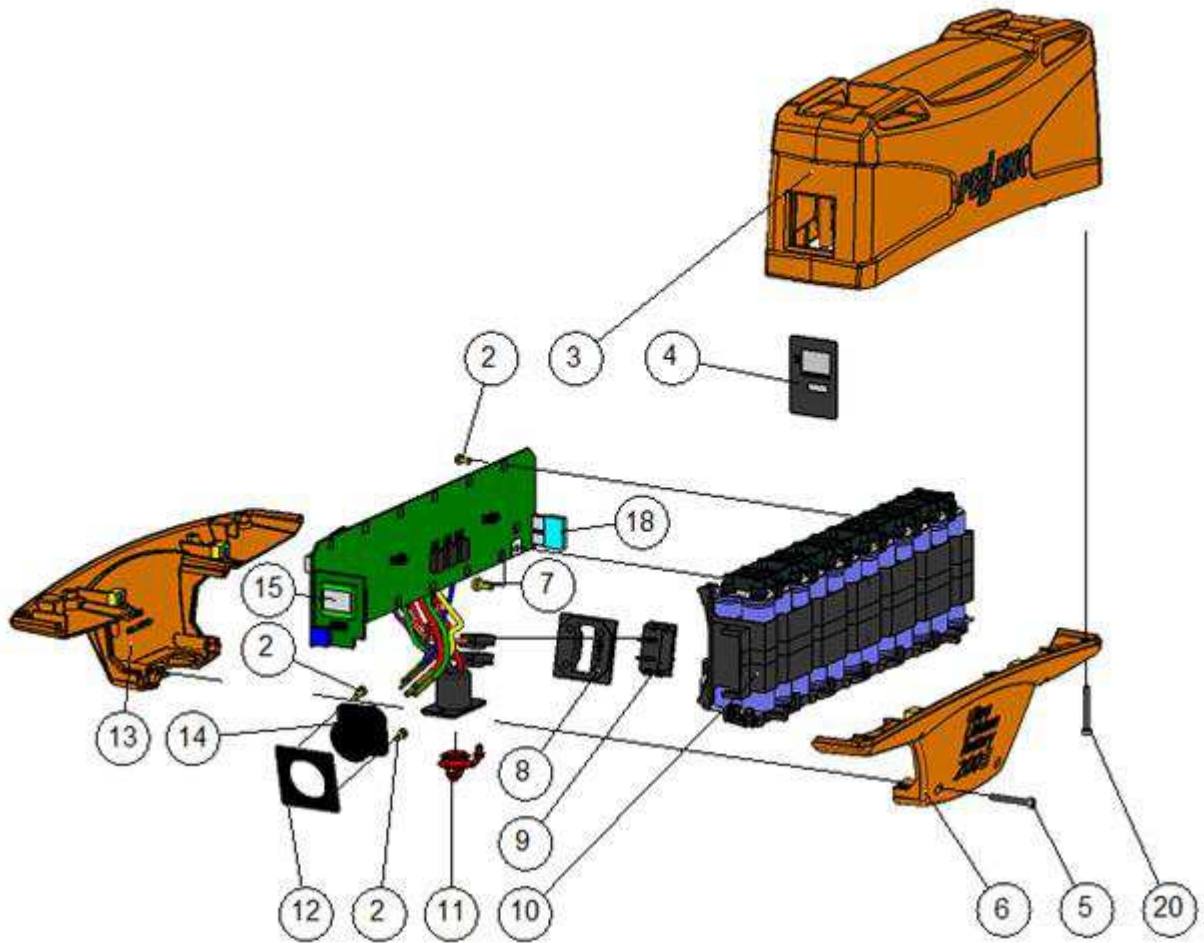
Mark	Part number	Description	Remarks	Etesia Part Number	Quantity
2	66059	SCREW,DELTA,PT WN5411,30*6,ZN,BL		45434	15.00
3	72279	BOITIER SUP BATT 200 MARQUEE	KIT B	N/A	1.00
4	43307	BATT DISPLAY SCREEN	KIT B	45126	1.00
5	41620	SCREW, PLASTITE M3x25 (QTY 100)	KIT B	45120	2.00
6	72529	BOITIER INF FACE BATT 200 MARQUEE	KIT B	N/A	1.00
7	70644	VIS DELTA PT WN5451 40-8 ZB		N/A	2.00
8	41630	BASE, SWITCH HOLDER		45122	1.00
9	40186	SWITCH, ON/OFF, 1900 VP B5 N/N/R		45377	1.00
10	71800	PACK BATTERIE 200 COMPLET		N/A	1.00
11	40657	PLUG PROTECTION RECEPTACLE CHARGER		45379	1.00
12	41631	BASE, CONNECTOR HOLDER		45123	1.00
13	72530	BOITIER INF ARRIERE BATT200 MARQUEE	KIT B	N/A	1.00
14	40197	VIBRATOR CONNECT. BASE		45417	1.00
15	47240	PCB, DISPLAY, IRDA		45138	1.00
16	62398	CHARGER+LEAD - EUROPE PELLENC06		45151	1.00
17	87747	CARRYING JACKET, BATTERY 200		45633	1.00
18	84453	FUSE,25A 58V		N/A	1.00
19	02007	PE20 BELT PLUG		45006	1.00
20	20034	SCREW 2.9*20 (QTY 100)		45068	8.00
21	74134	MOUSSE ADHESIVE CALAGE BATT 200		45351	8.00
A	73021	BATTERY, 200, SPARE PART		45183	1.00
B	85671	KIT,UNIT,BATTERY 200		N/A	1.00



BATTERY PACK 2015

Catalogue of detached parts

200 BATTERY - 26_11_013D



26_11_013D



BATTERY PACK 2015

Catalogue of detached parts

400 2 kW BATTERY - 56_15_008A

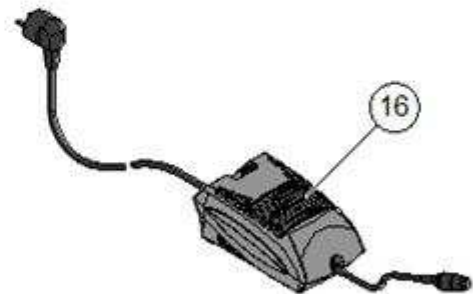
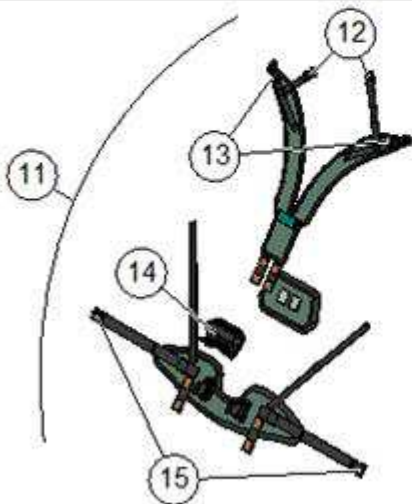
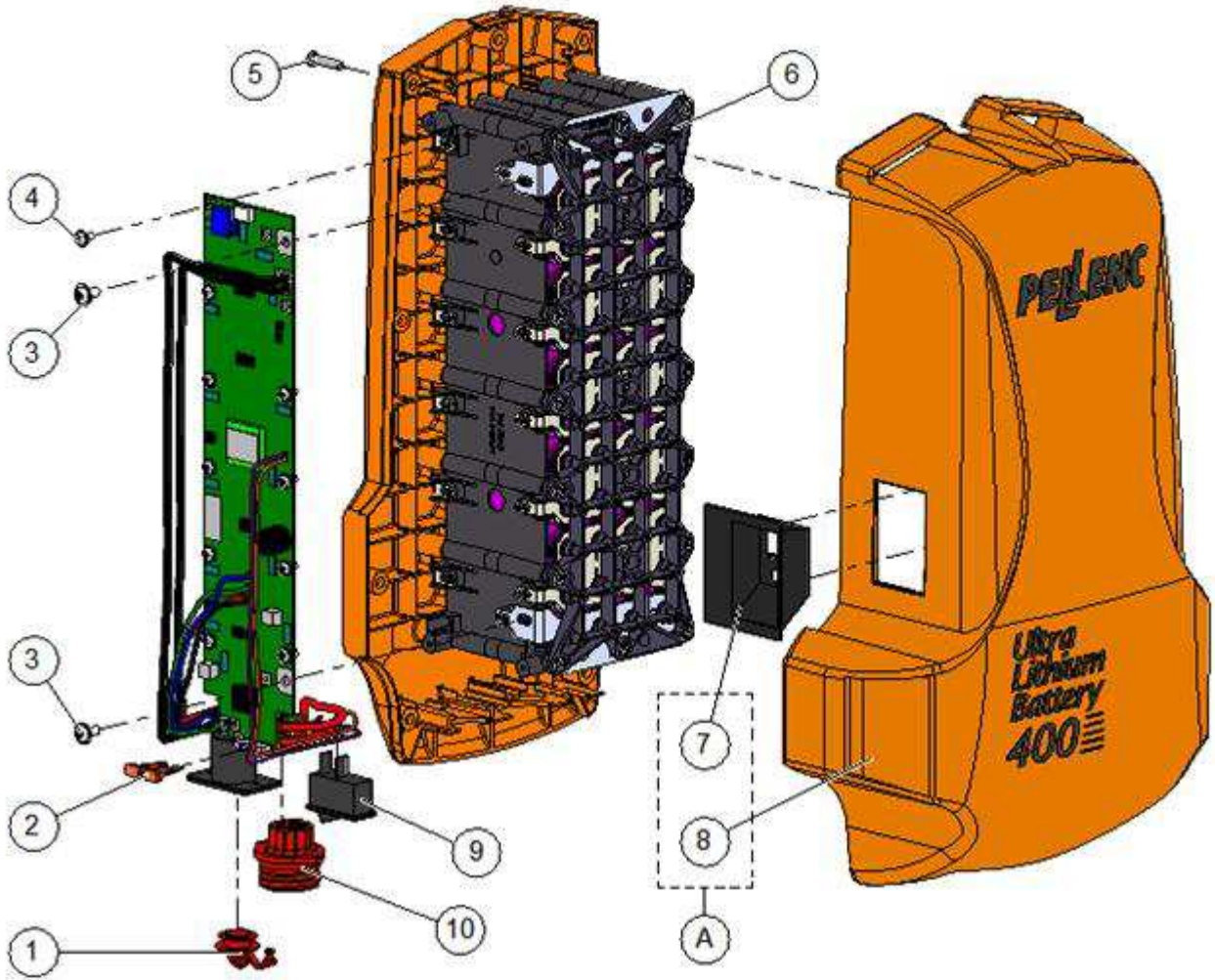
Mark	Part number	Description	Remarks	Etesia Part Number	Quantity
1	40657	PLUG PROTECTION RECEPTACLE CHARGER		45379	1.00
2	84444	FUSE,40A 58V		45580	1.00
3	81819	VIS CBHC A EMBASE M4-8		N/A	2.00
4	81818	VIS CBHC A EMBASE M3-6		N/A	13.00
5	66202	SCREW, DELTA PT WN1412 K35X16 ZN W		45385	9.00
6	107515	PACK BATTERIE 400 2KW COMPLET		N/A	1.00
7	74295	BATTERY WINDOW, 2KW BOARD	KIT A	N/A	1.00
8	66599	TOP HOUSING BATTERY 400	KIT A	N/A	1.00
9	40186	SWITCH, ON/OFF, 1900 VP B5 N/N/R		45377	1.00
10	74531	BASE CONNECTOR 2KW (RG)		45632	1.00
11	72050	CARRYING VEST, BATTERIE 400		45388	1.00
12	103402	HARNESS LOOP, UPPER PT, BATT PARTS		N/A	1.00
13	74758	BUCKLE, HARNESS STRAP, BATT., PCS		45391	2.00
14	72048	400 BATT. HARNESS CLIP PLATE		45399	1.00
15	02007	PE20 BELT PLUG		45006	1.00
16	46230	CHARGER+CORD, SECTOR AUST		N/A	1.00
16	46231	CHARGER+CORD, SECTOR JAP		N/A	1.00
16	46229	CHARGER+CORD, SECTOR USA		N/A	1.00
16	62398	CHARGER+LEAD - EUROPE PELLENC06		45151	1.00
A	107513	BOITIER SUP BATTERIE 400 2KW EQUIPE		N/A	1.00
B	72985	BATTERY, 400, SPARE PARTS		45389	1.00



BATTERY PACK 2015

Catalogue of detached parts

400 2 kW BATTERY - 56_15_008A



56_15_008A



BATTERY PACK 2015

Catalogue of detached parts

700 2.5 kW BATTERY - 56_15_009A

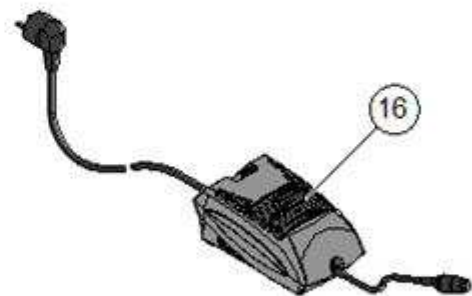
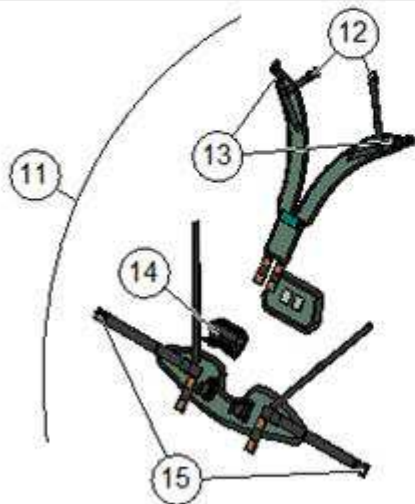
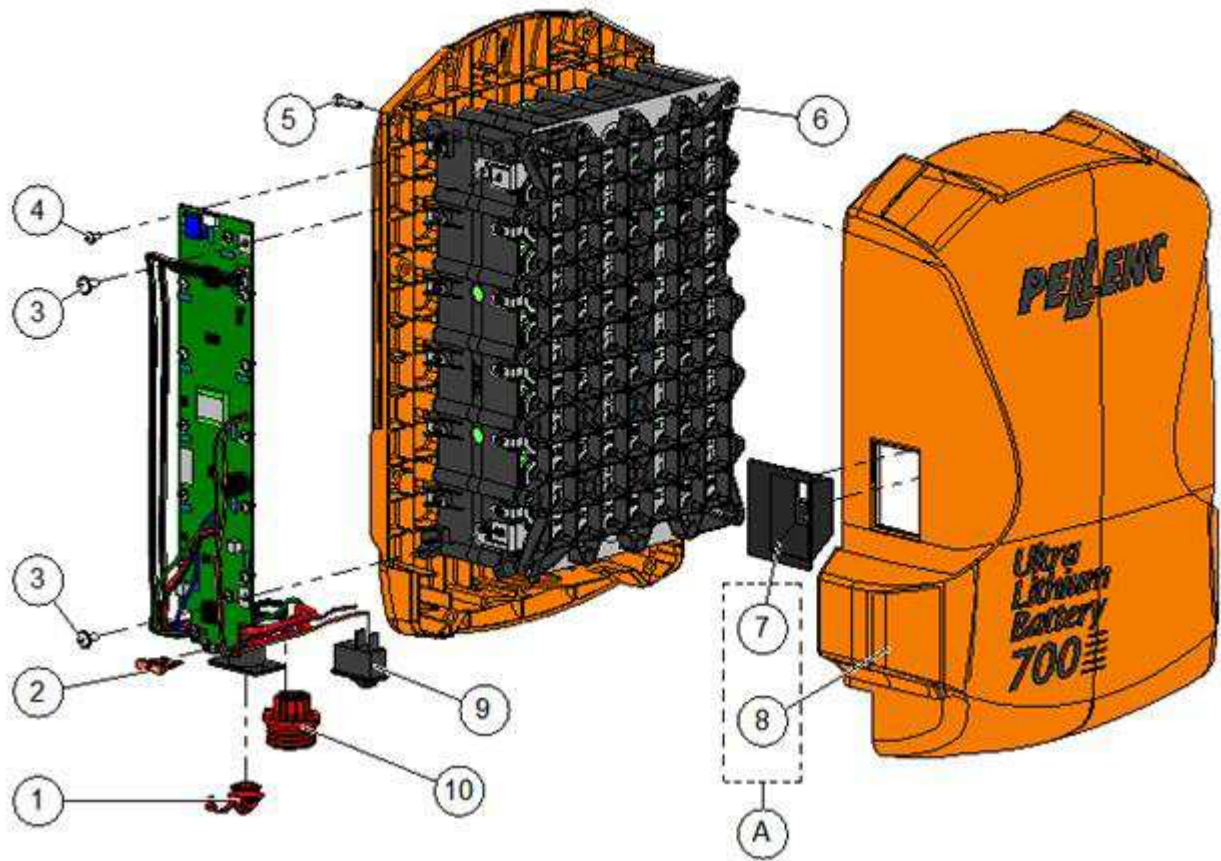
Mark	Part number	Description	Remarks	Etesia Part Number	Quantity
1	40657	PLUG PROTECTION RECEPTACLE CHARGER		45379	1.00
2	84444	FUSE,40A 58V		45580	1.00
3	81819	VIS CBHC A EMBASE M4-8		N/A	2.00
4	81818	VIS CBHC A EMBASE M3-6		N/A	13.00
5	66202	SCREW, DELTA PT WN1412 K35X16 ZN W		45385	9.00
6	105290	PACK BATTERIE 700 2KW		N/A	1.00
7	74295	BATTERY WINDOW, 2KW BOARD	KIT A	N/A	1.00
8	72671	BOITIER SUPERIEUR BATT 700 MARQUEE	KIT A	N/A	1.00
9	40186	SWITCH, ON/OFF, 1900 VP B5 N/N/R		45377	1.00
10	74531	BASE CONNECTOR 2KW (RG)		45632	1.00
11	66957	CARRYING JACKET, BATTERY, 2007		45386	1.00
12	103402	HARNESS LOOP, UPPER PT, BATT PARTS		N/A	1.00
13	74758	BUCKLE, HARNESS STRAP, BATT., PCS		45391	2.00
14	67651	PLATE, BATTERY HARNESS CLIP 2007		45387	1.00
15	02007	PE20 BELT PLUG		45006	1.00
16	60031	CHARG. + EU CORD, SPARE PARTS		45395	1.00
A	74537	BOITIER SUP BATT 700 2KW EQUIPEE		N/A	1.00
B	86318	BATTERY 700+, SPARE PARTS		N/A	1.00



BATTERY PACK 2015

Catalogue of detached parts

700 2.5 kW BATTERY - 56_15_009A



56_15_009A



BATTERY PACK 2015

Catalogue of detached parts

1100 2.5 kW BATTERY - 56_15_010A

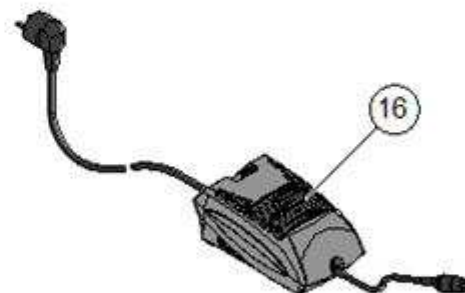
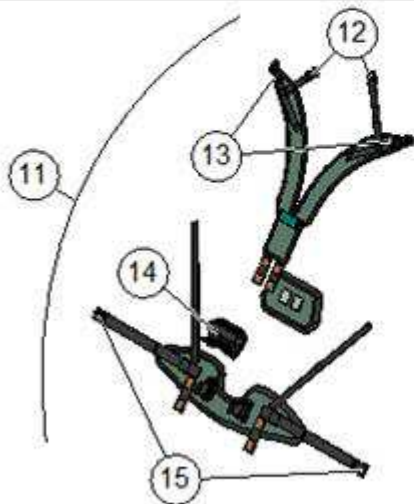
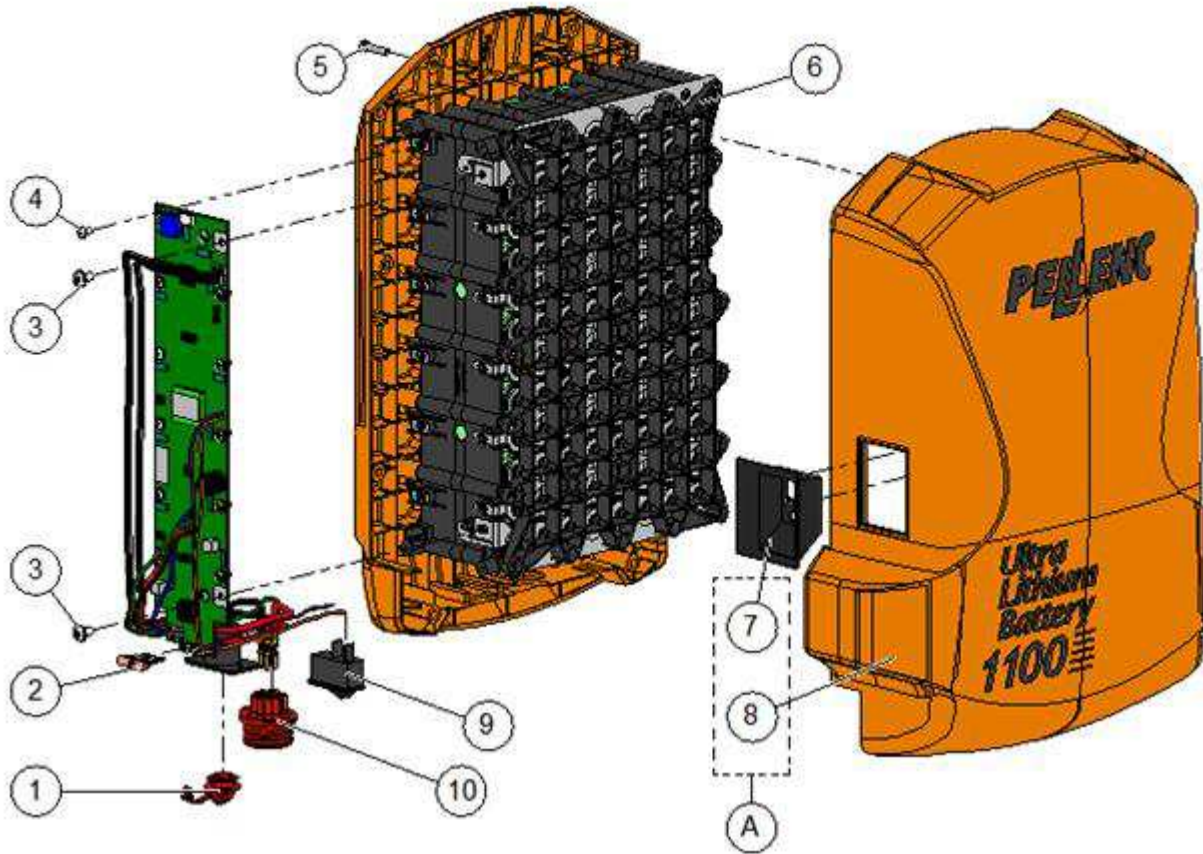
Mark	Part number	Description	Remarks	Etesia Part Number	Quantity
1	40657	PLUG PROTECTION RECEPTACLE CHARGER		45379	1.00
2	84444	FUSE,40A 58V		45580	1.00
3	81819	VIS CBHC A EMBASE M4-8		N/A	2.00
4	81818	VIS CBHC A EMBASE M3-6		N/A	13.00
5	66202	SCREW, DELTA PT WN1412 K35X16 ZN W		45385	9.00
6	84393	PACK BATTERIE 1100 COMPLET		N/A	1.00
7	74295	BATTERY WINDOW, 2KW BOARD	KIT A	N/A	1.00
8	84391	BOITIER SUP BATT 1000 2KW MARQUEE	KIT A	N/A	1.00
9	40186	SWITCH, ON/OFF, 1900 VP B5 N/N/R		45377	1.00
10	74531	BASE CONNECTOR 2KW (RG)		45632	1.00
11	66957	CARRYING JACKET, BATTERY, 2007		45386	1.00
12	103402	HARNESS LOOP, UPPER PT, BATT PARTS		N/A	1.00
13	74758	BUCKLE, HARNESS STRAP, BATT., PCS		45391	2.00
14	67651	PLATE, BATTERY HARNESS CLIP 2007		45387	1.00
15	02007	PE20 BELT PLUG		45006	1.00
16	60031	CHARG. + EU CORD, SPARE PARTS		45395	1.00
A	84390	CASING ASSY UPPER BATT. 1100		45655	1.00
B	106859	1100 BATTERY, SPARE PARTS		N/A	1.00



BATTERY PACK 2015

Catalogue of detached parts

1100 2.5 kW BATTERY - 56_15_010A



56_15_010A



BATTERY PACK 2015

Catalogue of detached parts

POLY5 BATTERY - 56_10_028C

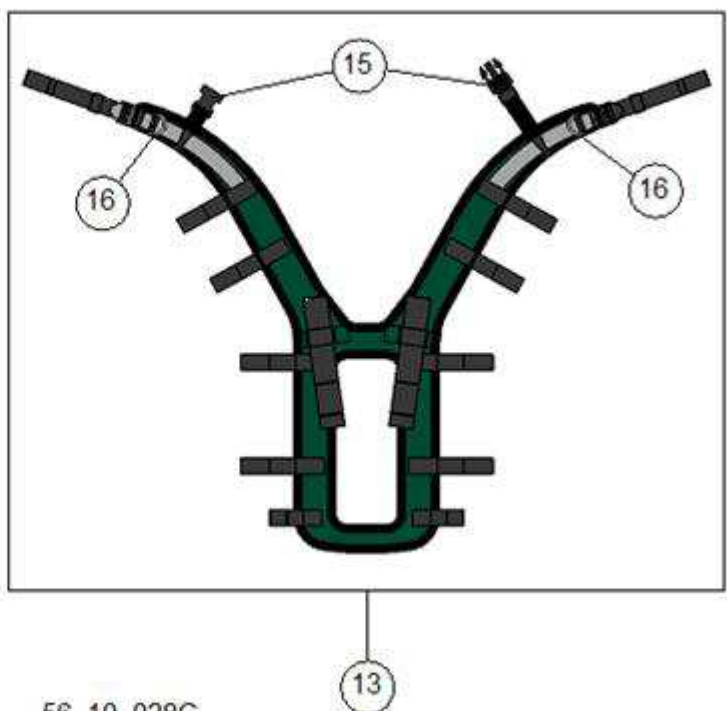
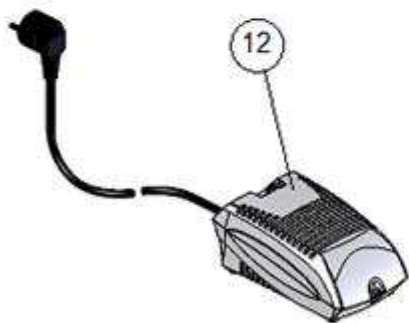
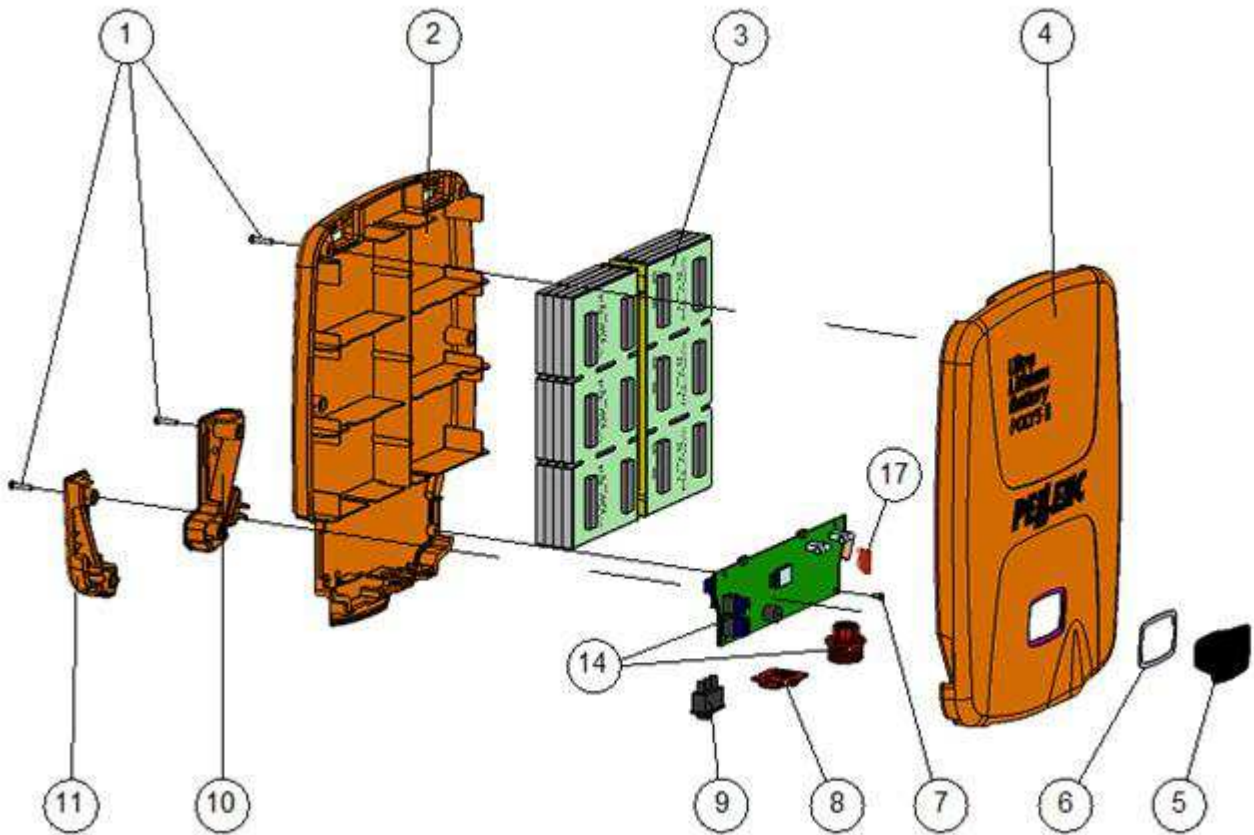
Mark	Part number	Description	Remarks	Etesia Part Numbers	Quantity
1	66202	SCREW, DELTA PT WN1412 K35X16 ZN W		45385	8.00
2	78402	LOWER UNIT		N/A	1.00
3	77996	12S2P SLPB 776495_5.3AH PACK		N/A	1.00
4	78403	UPPER UNIT		N/A	1.00
5	78406	WINDOW, DISPLAY		N/A	1.00
6	78766	SEAL,FOAM,ADHESIVE		N/A	1.00
7	78055	VIS PT WN1412 30-06 ZN BLANC		N/A	4.00
8	79139	DOOR		N/A	1.00
9	40186	SWITCH, ON/OFF, 1900 VP B5 N/N/R		45377	1.00
10	78404	RIGHT ACCESS DOOR		N/A	1.00
11	78405	LEFT ACCESS DOOR		N/A	1.00
12	62398	CHARGER+LEAD - EUROPE PELLENC06		45151	1.00
13	78775	POLY 5 BATTERY PACK HARNESS		45644	1.00
14	78526	BOARD,2KW,LIPO		45597	1.00
15	103402	HARNESS LOOP, UPPER PT, BATT PARTS		N/A	1.00
16	74758	BUCKLE, HARNESS STRAP, BATT., PCS		45391	1.00
17	84444	FUSE,40A 58V		N/A	1.00
A	86507	BATTERIE LIPO PCS DETACHEE		N/A	1.00



BATTERY PACK 2015

Catalogue of detached parts

POLY5 BATTERY - 56_10_028C



56_10_028C



BATTERY PACK 2015

Catalogue of detached parts

OLIVION BATTERY - 48_12_008D

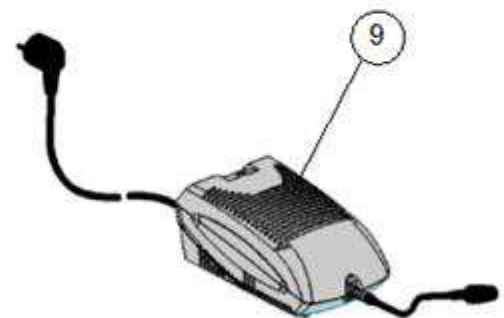
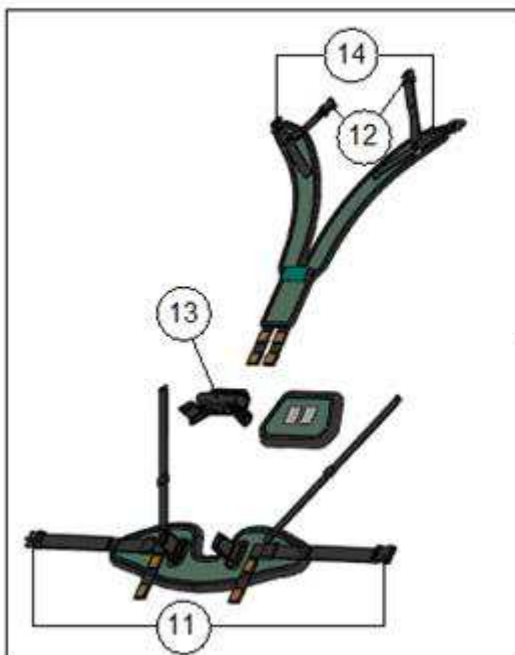
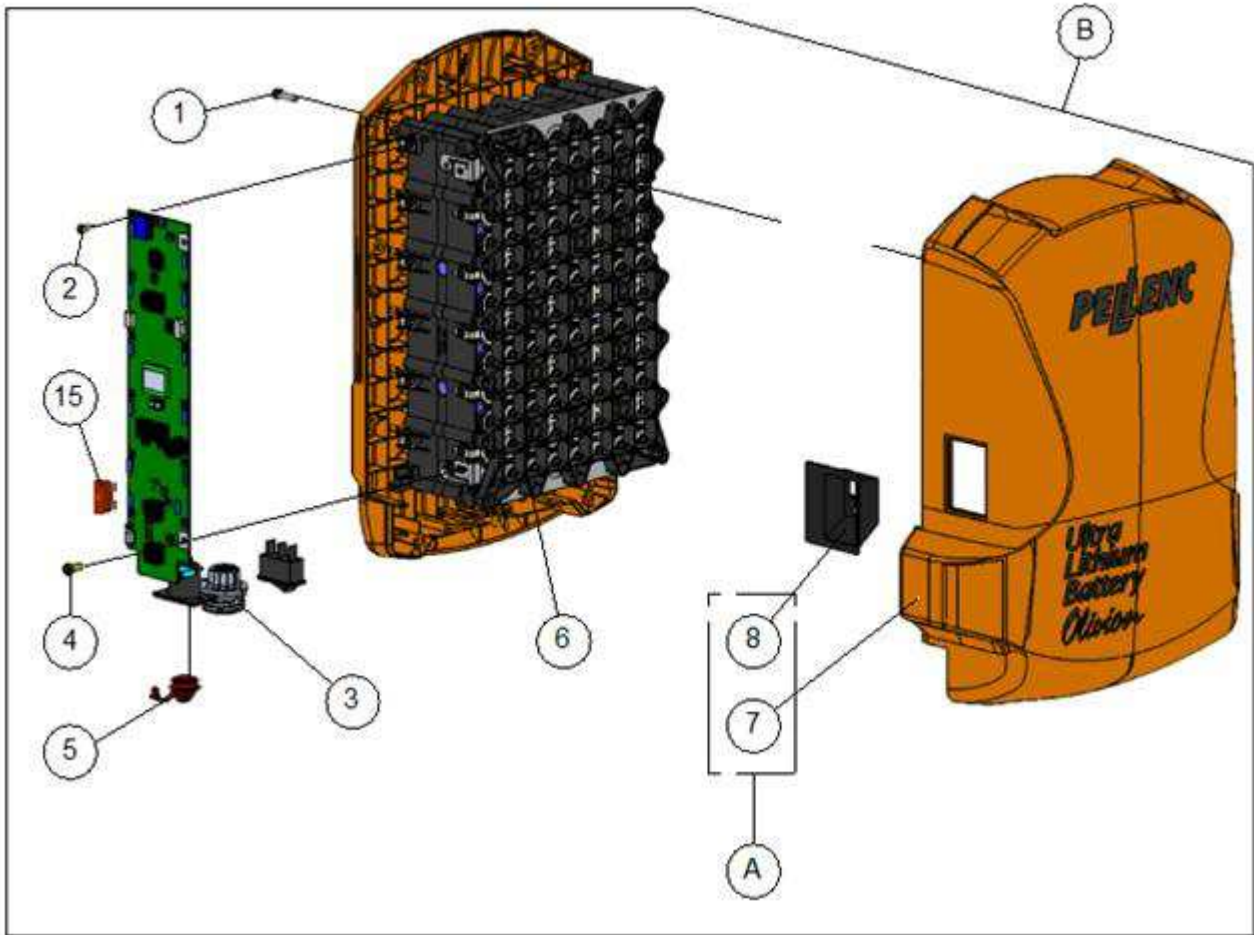
Mark	Part number	Description	Remarks	Etesia Part Number	Quantity
1	66202	SCREW, DELTA PT WN1412 K35X16 ZN W		45385	10.00
2	66059	SCREW,DELTA,PT WN5411,30*6,ZN,BL		45434	13.00
3	63492	1KW (06) CONNECTOR BASE		45421	1.00
4	45951	SCREW, PLASTITE K40X10 Z WN1452		N/A	2.00
5	40657	PLUG PROTECTION RECEPTACLE CHARGER		45379	1.00
6	66943	PACK BATTERIE 700 COMPLET		N/A	1.00
7	104934	BOITIER SUPERIEUR BATT OLIVION MARQ	KIT A	N/A	1.00
8	74295	BATTERY WINDOW, 2KW BOARD	KIT A	N/A	1.00
9	60031	CHARG. + EU CORD, SPARE PARTS		45395	1.00
10	66957	CARRYING JACKET, BATTERY, 2007		45386	1.00
11	02007	PE20 BELT PLUG		45006	1.00
12	103402	HARNESS LOOP, UPPER PT, BATT PARTS		N/A	1.00
13	67651	PLATE, BATTERY HARNESS CLIP 2007		45387	1.00
14	74758	BUCKLE, HARNESS STRAP, BATT., PCS		45391	1.00
15	84444	FUSE,40A 58V		N/A	1.00
A	104939	UPP.HOUSING, BATT,OLIVION,EQUIPPED		N/A	1.00
B	111092	BATTERIE OLIVION PCS DETACHEE		N/A	1.00



BATTERY PACK 2015

Catalogue of detached parts

OLIVION BATTERY - 48_12_008D



48_12_008C

